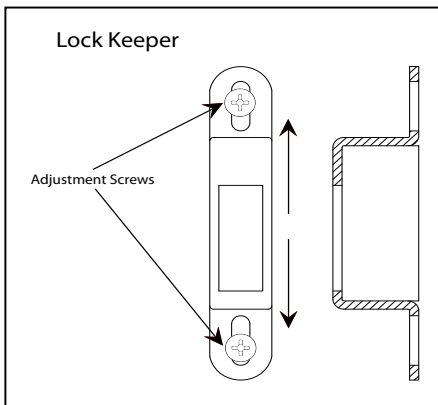
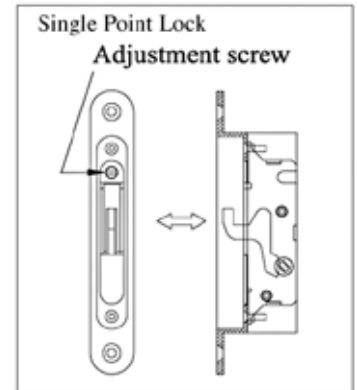


# MP DOORS® Gliding Patio Doors

## Adjusting Door and Lock

### Adjusting Door and Lock

1. Flat head adjustment screw on single point lock can be adjusted to move latch in or out.
2. Lock Keeper (on side jamb) can be moved up or down for further adjustment.
3. Rollers can also be adjusted up or down.



### Lock Keeper

1. Loosen adjustment screws at top and bottom of keeper.
2. Move the keeper up or down to align the opening with the lock/latch on the active panel.
3. Re-tighten the adjustment screws once aligned.

### NOTE:

When adjusting the rollers, lift the active panel up to take the weight of the door panel off of the rollers. If the panel is still installed while adjustments are being made the stainless steel rollers can be damaged which will effect the performance of your MasterPiece Patio Door. Remove the plugs with a flat screwdriver. Insert a phillips screwdriver and find the adjustment screw inside the panel. Clockwise will raise the panel up, counter clockwise will lower it. All three adjustments may be necessary. Over time, your patio door may require further adjustment to ensure proper locking. Door must be shimmed properly during installation so it is plumb, level and square.

