

Florida Building Code Product Approval

FL10181.2-R5 Non-Impact- 6'0" x 6'8" Gliding Full Lite DP50

FL #	FL10181-R5										
Application Type	Revision										
Code Version	2010										
Application Status	Approved										
	*Approved by DBPR. Approvals by DBPR shall be reviewed and ratified by the POC and/or the Commission if necessary.										
Comments											
Archived	<input type="checkbox"/>										
Product Manufacturer	Nan Ya Plastics Corporation USA										
Address/Phone/Email	8989 North Loop East Houston, TX 77029 (713) 674-7822 Ext 105 ajen96@yahoo.com.tw										
Authorized Signature	RUSKIN WU ajen96@yahoo.com.tw										
Technical Representative	Ruskin Wu										
Address/Phone/Email	8989 North Loop East Houston, TX 77029-1217 (713) 674-7822 Ext 105 ajen96@yahoo.com.tw										
Quality Assurance Representative											
Category	Exterior Doors										
Subcategory	Sliding Exterior Door Assemblies										
Compliance Method	Certification Mark or Listing										
Certification Agency	National Accreditation & Management Institute										
Validated By	National Accreditation & Management Institute,										
Referenced Standard and Year (of Standard)	<table border="0"> <thead> <tr> <th><u>Standard</u></th> <th><u>Year</u></th> </tr> </thead> <tbody> <tr> <td>AAMA/WDMA/CSA 101/I.S.2/A440</td> <td>2008</td> </tr> <tr> <td>ANSI/AAMA/NWWDA 101/I.S.2</td> <td>1997</td> </tr> <tr> <td>ASTM E1886</td> <td>2005</td> </tr> <tr> <td>ASTM E1996</td> <td>2006</td> </tr> </tbody> </table>	<u>Standard</u>	<u>Year</u>	AAMA/WDMA/CSA 101/I.S.2/A440	2008	ANSI/AAMA/NWWDA 101/I.S.2	1997	ASTM E1886	2005	ASTM E1996	2006
<u>Standard</u>	<u>Year</u>										
AAMA/WDMA/CSA 101/I.S.2/A440	2008										
ANSI/AAMA/NWWDA 101/I.S.2	1997										
ASTM E1886	2005										
ASTM E1996	2006										
Equivalence of Product Standards Certified By											

Florida Building Code Product Approval

FL10181.2-R5 Non-Impact- 6'0" x 6'8" Gliding Full Lite DP50

Product Approval Method	Method 1 Option A
Date Submitted	04/14/2014
Date Validated	08/06/2014
Date Pending FBC Approval	
Date Approved	08/10/2014

FL #	Model, Number or Name	Description
10181.2	Gliding Two Panel Patio Door	Gliding Two Panel Patio Door - Non-Impact
Limits of Use Approved for use in HVHZ: No Approved for use outside HVHZ: Yes Impact Resistant: No Design Pressure: +50/-50 Other:		Certification Agency Certificate FL10181_R5_C_CAC_NI010809-R1.pdf Quality Assurance Contract Expiration Date 07/31/2015 Installation Instructions FL10181_R5_II_08-01099B.pdf Verified By: Luis R. Lomas 62514 Created by Independent Third Party: Yes Evaluation Reports FL10181_R5_AE_511659A.pdf Created by Independent Third Party: Yes

Florida Building Code Product Approval

FL10181.2-R5 Non-Impact- 6'0" x 6'8" Gliding Full Lite DP50

NOTICE OF PRODUCT CERTIFICATION



CERTIFICATION NO: NI010809-R1
DATE: 08/11/2011
CERTIFICATION PROGRAM: Structural
COMPANY: Nan Ya Plastics
CODE: N-661-1
REVISION DATE: 08/17/2011

The "Notice of Product Certification" is valid only when Administrator's Seal is applied to the upper left hand portion of this form and a certification label is applied to the product. This certification seal represents product conformity to the applicable specification and that all certification criteria has been satisfied.

The product described below is approved for listing in the Directory of Certified Products at www.NAMICertification.com. Please review, and advise NAMI immediately if data, as shown, requires corrections.

COMPANY NAME AND ADDRESS	PRODUCT DESCRIPTION
Nan Ya Plastics Corp. USA 8989 North Loop Road Houston, TX 77029	Series "Gliding Two Panel Patio Door" Vinyl Sliding Glass Door Configuration: OX Glazing: IG-1/8" Tempered Glass Frame: W-1813mm(71.38") H-2019mm(79.5") Panel: W-908mm(35.75") H-1946mm(76.63") STP: Pos+3591Pa (75.0 psf) Neg-3591Pa (75.0 psf)

SPECIFICATION	PRODUCT RATING
AAMA/WDMA/CSA 101/LS.2/A440-08	Class R-PG50 1813 X 2019 (71.375 x 79.50)-SGD

Product Tested By: Florida Testing Laboratory, Inc.
Report No: FTL 6550
Expiration Date: July 31, 2015

Administrator's Signature: _____

A handwritten signature in black ink, appearing to be 'S. D.', written over a horizontal line.

**NATIONAL ACCREDITATION AND
MANAGEMENT INSTITUTE, INC.**
4794 George Washington Memorial Highway
Hayes, VA 23072
Tel: (804) 684-5124
Fax: (804) 684-5122

Florida Building Code Product Approval

FL10181.2-R5 Non-Impact- 6'0" x 6'8" Gliding Full Lite DP50

L. Roberto Lomas P.E.

233 W. Main St
Danville, VA 24541
434-688-0609
rlomas@rlomaspe.com

Engineering Evaluation Report

Report No.: 511659A

Manufacturer: Nan Ya Plastics Corp. USA
8989 North Loop East
Houston, TX 77029

Product Line: Gliding two Panel Patio Door - Non-Impact

Compliance:

The above mentioned product has been evaluated for compliance with the requirements of the Florida Department of Business and Professional Regulation for Statewide Acceptance per Rule 61G20-3.005 method 1(a). The product listed herein complies with requirements of the Florida Building Code.

Supporting Technical Documentation:

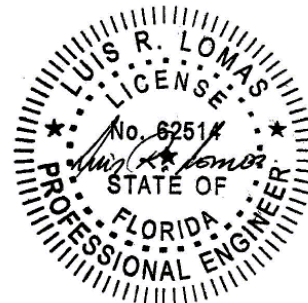
1. Approval document: drawing number 08-01099 Revision B, prepared, signed and sealed by Luis Roberto Lomas P.E.
2. Test report No. FTL 6550 signed by Manny Sanchez.
Fenestration Testing Laboratory Inc. Medley, FL
AAMA/WDMA/CSA 101/I.S.Z/A440-08
Design pressure: ±50.0psf
Water penetration resistance 7.5psf
3. Anchor calculations, report number 511659-1, prepared, signed and sealed by Luis Roberto Lomas P.E.

Limitations and Conditions of use:

- Maximum design pressure: ±50.0psf
- Maximum unit size: 71 3/8" x 79 1/2"
- Approved configurations: XO and OX
- Units must be glazed with per ASTM E1300-04 with safety glass.
- This product is not rated to be used in the HVHZ.
- This product is not impact resistant and requires impact protection in wind borne debris regions.

Installation: Units must be installed in accordance with approval document, 08-01099 Revision B.

Certification of Independence: Please note that I don't have nor will acquire a financial interest in any company manufacturing or distributing the product(s) for which this report is being issued. Also, I don't have nor will acquire a financial interest in any other entity involved in the approval process of the listed product(s).



REVISIONS			
REV	DESCRIPTION	DATE	APPROVED
A	REVISED PER NEW TESTING	08/17/11	R.L.
B	REVISED PER NEW REQUIREMENTS	07/29/14	R.L.

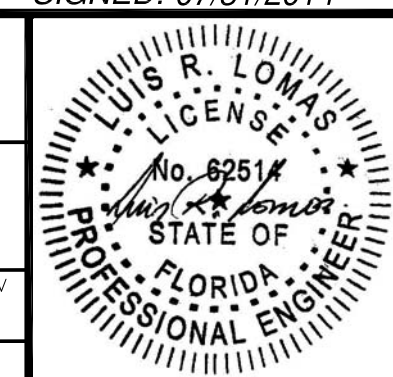
NOTES:

1. THE PRODUCT SHOWN HEREIN IS DESIGNED AND MANUFACTURED TO COMPLY WITH REQUIREMENTS OF THE FLORIDA BUILDING CODE.
2. WOOD FRAMING AND MASONRY OPENING TO BE DESIGNED AND ANCHORED TO PROPERLY TRANSFER ALL LOADS TO STRUCTURE. FRAMING AND MASONRY OPENING IS THE RESPONSIBILITY OF THE ARCHITECT OR ENGINEER OF RECORD.
3. WHERE SHIM OR BUCK THICKNESS IS LESS THAN 1-1/2" WINDOW UNITS MUST BE ANCHORED THROUGH THE FRAME IN ACCORDANCE WITH MANUFACTURER'S PUBLISHED INSTALLATION INSTRUCTIONS. ANCHORS SHALL BE SECURELY FASTENED DIRECTLY INTO MASONRY, CONCRETE OR OTHER STRUCTURAL SUBSTRATE MATERIAL.
4. WHERE WOOD BUCK THICKNESS IS 1-1/2" OR GREATER, BUCK SHALL BE SECURELY FASTENED TO MASONRY, CONCRETE OR OTHER STRUCTURAL SUBSTRATE. WINDOW UNITS MAY BE ANCHORED THROUGH FRAME TO SECURED WOOD BUCK IN ACCORDANCE WITH MANUFACTURER'S PUBLISHED INSTALLATION INSTRUCTIONS.
5. BUCKS SHALL EXTEND BEYOND WINDOW INTERIOR FACE SO THAT FULL FRAME SUPPORT IS PROVIDED.
6. FOR FIN INSTALLATION SHIM AS NEEDED. FOR FRAME INSTALLATION SHIM AS REQUIRED AT EACH ANCHOR LOCATION WITH LOAD BEARING SHIM. SHIM WHERE SPACE OF 1/16" OR GREATER OCCURS. MAXIMUM ALLOWABLE SHIM STACK TO BE 1/4".
7. SHIMS SHALL BE LOCATED, APPLIED AND MADE FROM MATERIALS AND THICKNESS CAPABLE OF SUSTAINING APPLICABLE LOADS.
8. WIND LOAD DURATION FACTOR Cd=1.6 WAS USED FOR WOOD ANCHOR CALCULATIONS.
9. UNITS MUST BE GLAZED PER ASTM E1300-04, SEE SHEET 3 FOR GLASS OPTIONS.
10. APPROVED IMPACT PROTECTIVE SYSTEM IS REQUIRED FOR THIS PRODUCT IN WIND BORNE DEBRIS REGIONS.
11. FOR ANCHORING INTO WOOD FRAMING OR 2X BUCK USE #12 WOOD SCREWS WITH SUFFICIENT LENGTH TO ACHIEVE A 1 3/8" MINIMUM EMBEDMENT INTO SUBSTRATE. LOCATE ANCHORS AS SHOWN IN ELEVATIONS AND INSTALLATION DETAILS.
12. ALL FASTENERS TO BE CORROSION RESISTANT.
13. INSTALLATION ANCHORS SHALL BE INSTALLED IN ACCORDANCE WITH ANCHOR MANUFACTURER'S INSTALLATION INSTRUCTIONS AND ANCHORS SHALL NOT BE USED IN SUBSTRATES WITH STRENGTHS LESS THAN THE MINIMUM STRENGTH SPECIFIED BELOW:
 - A. WOOD - MINIMUM SPECIFIC GRAVITY OF G=0.42
14. FRAME JAMB AND HEAD MATERIAL: CO-EXTRUDED PVC FOAM 3/4" THICK.
15. FRAME SILL MATERIAL: CO-EXTRUDED PVC FOAM 1 1/32" THICK.
16. DOOR PANEL MATERIAL: PVC COMPOSITE FOAM WITH AN EXTRUDED PVC SKIN .031" THICK.
17. APPROVED CONFIGURATIONS: XO, OX.

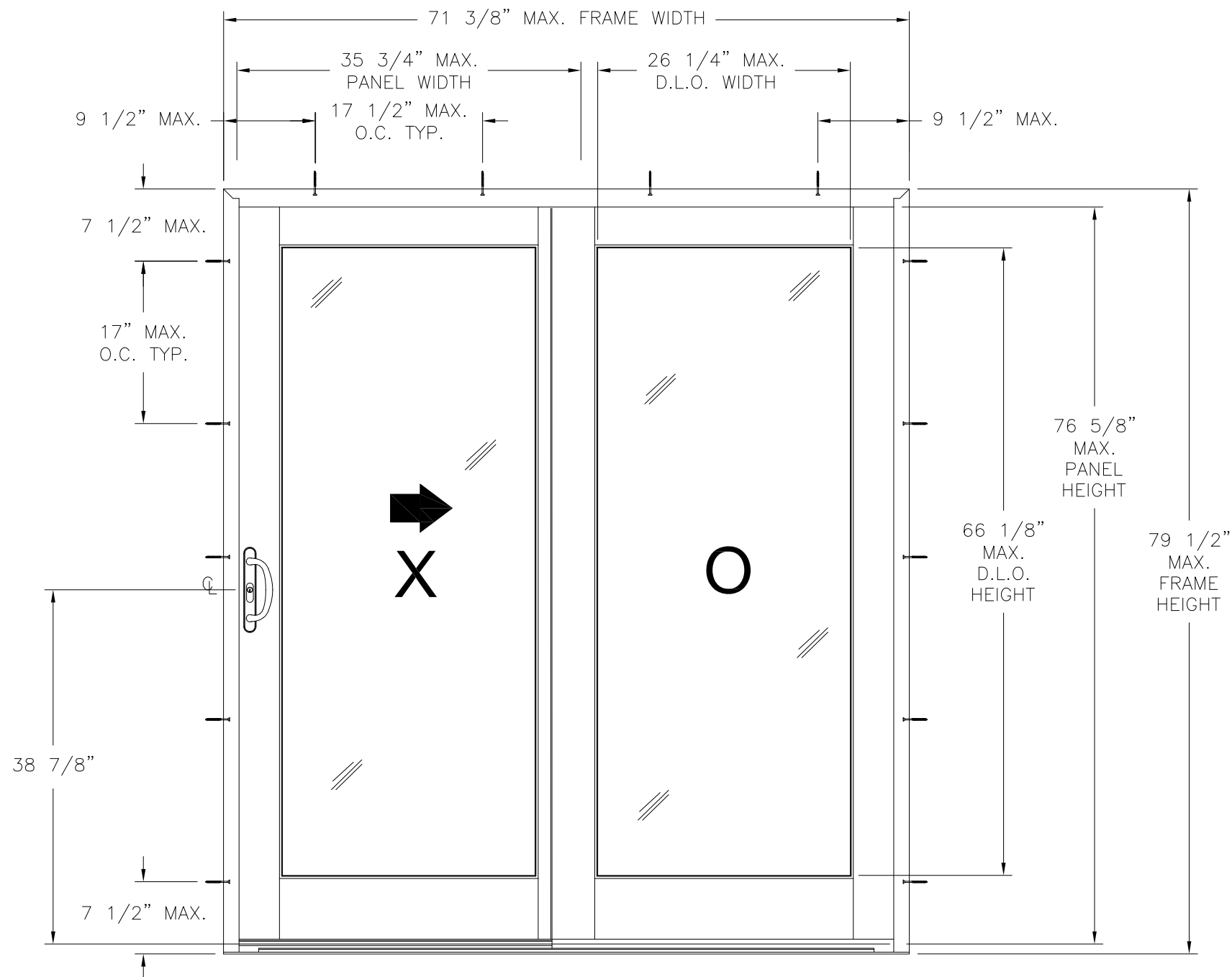
SIGNED: 07/31/2014

TABLE OF CONTENTS	
SHEET NO.	DESCRIPTION
1	NOTES
2	ELEVATION, ANCHORING LAYOUT
3	INSTALLATION DETAILS
4	COMPONENTS, GLAZING DETAIL AND HARDWARE

NAN YA PLASTICS CORP. USA 8989 NORTH LOOP EAST HOUSTON, TX 77029		
GLIDING TWO PANEL PATIO DOOR 71 3/8" x 79 1/2" ELEVATION, ANCHORING LAYOUT		
DRAWN: TJH	DWG NO. 08-01099	REV B
SCALE NTS	DATE 08/19/10	SHEET 1 OF 4



REVISIONS			
REV	DESCRIPTION	DATE	APPROVED
A	REVISED PER NEW TESTING	08/17/11	R.L.
B	REVISED PER NEW REQUIREMENTS	07/29/14	R.L.



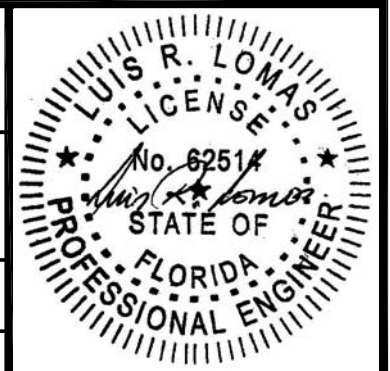
GLIDING TWO PANEL PATIO DOOR
EXTERIOR VIEW

DESIGN PRESSURE RATING	IMPACT RATING
±50PSF	NONE

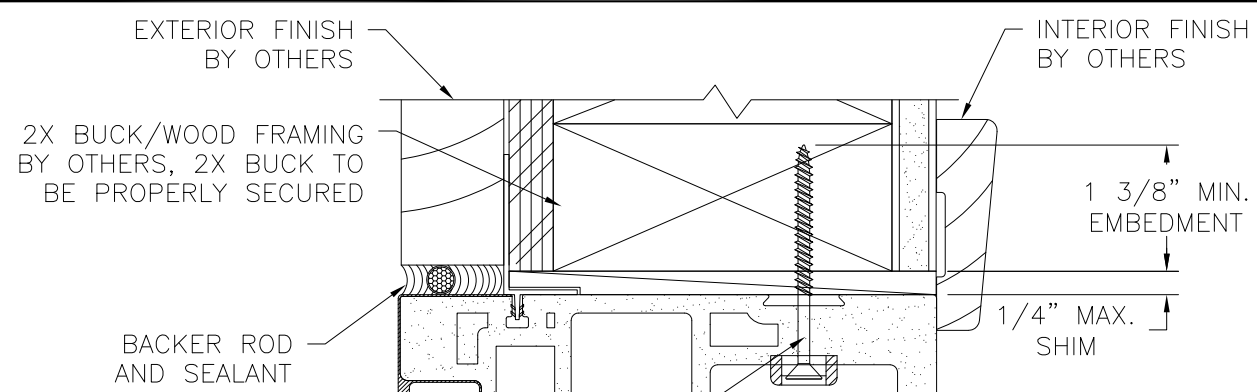
NAN YA PLASTICS CORP. USA
8989 NORTH LOOP EAST
HOUSTON, TX 77029

GLIDING TWO PANEL PATIO DOOR
71 3/8" x 79 1/2"
ELEVATION, ANCHORING LAYOUT

DRAWN: TJH	DWG NO. 08-01099	REV B
SCALE NTS	DATE 08/19/10	SHEET 2 OF 4

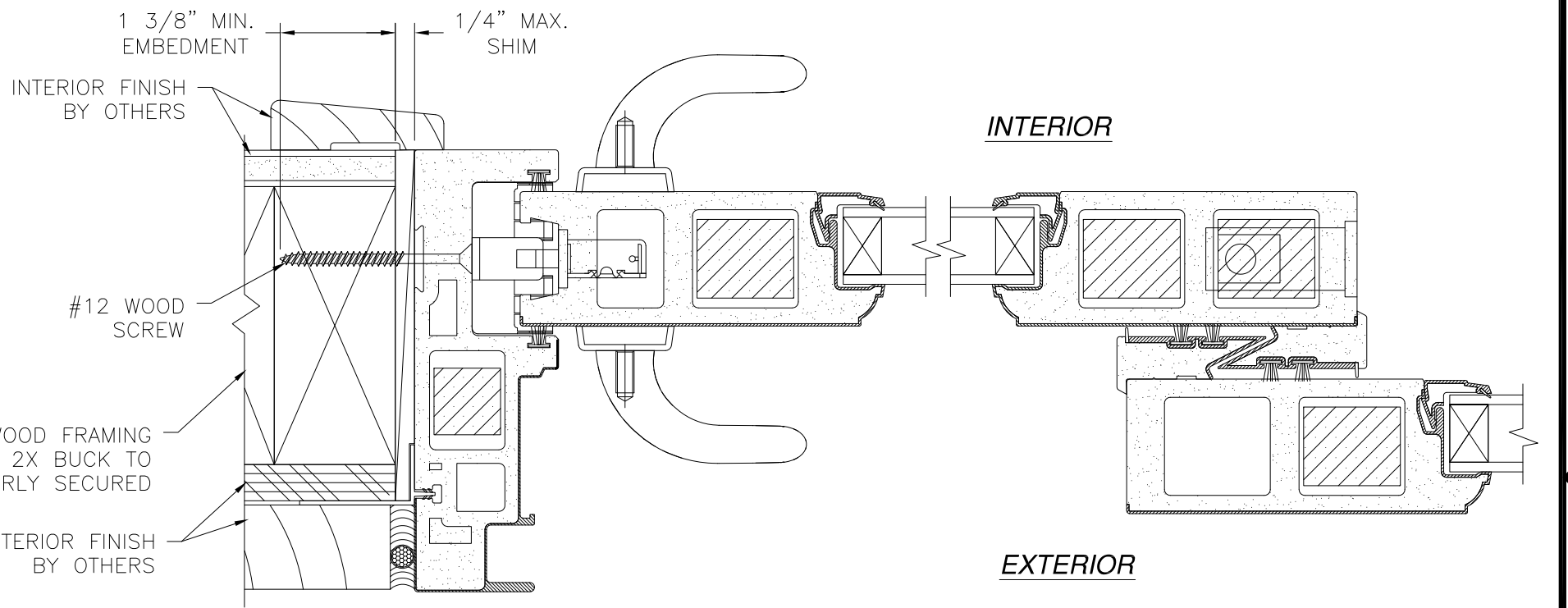


REVISIONS			
REV	DESCRIPTION	DATE	APPROVED
A	REVISED PER NEW TESTING	08/17/11	R.L.
B	REVISED PER NEW REQUIREMENTS	07/29/14	R.L.

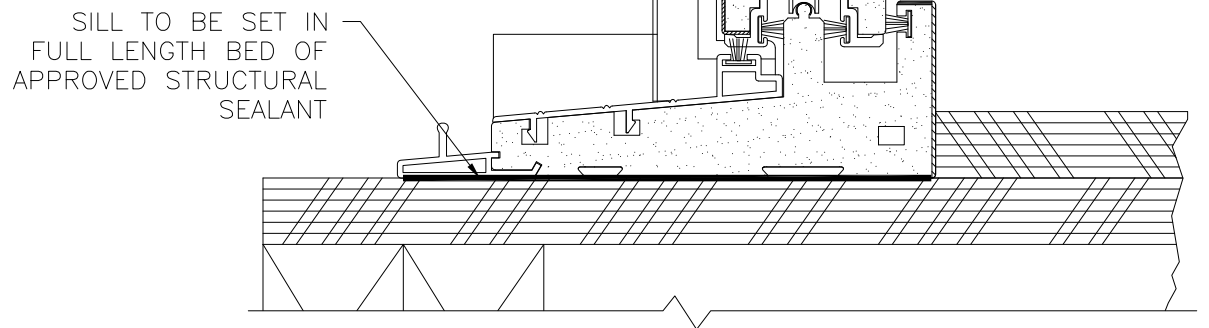


EXTERIOR

INTERIOR



HORIZONTAL CROSS SECTION
2X BUCK/WOOD FRAMING

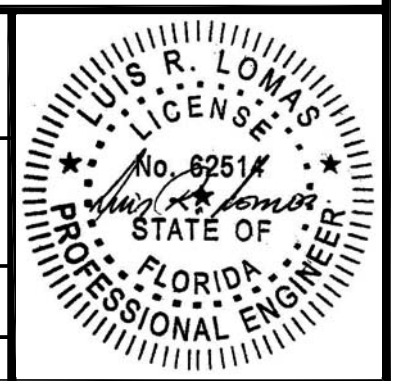


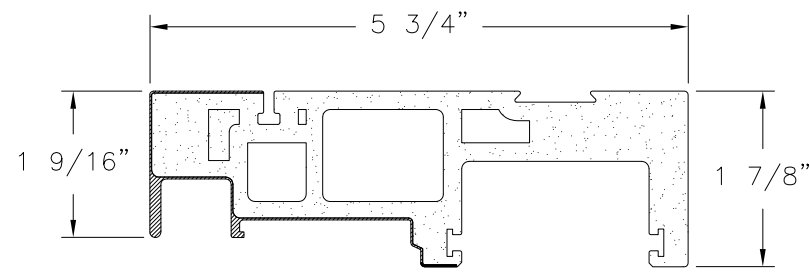
VERTICAL CROSS SECTION
2X BUCK/WOOD FRAMING

NAN YA PLASTICS CORP. USA
8989 NORTH LOOP EAST
HOUSTON, TX 77029

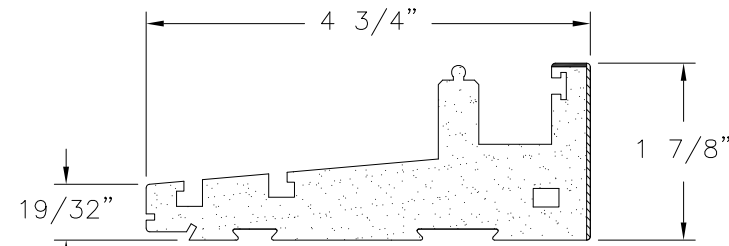
GLIDING TWO PANEL PATIO DOOR
71 3/8" x 79 1/2"
INSTALLATION DETAILS

DRAWN: TJH	DWG NO. 08-01099	REV B
SCALE NTS	DATE 08/19/10	SHEET 3 OF 4

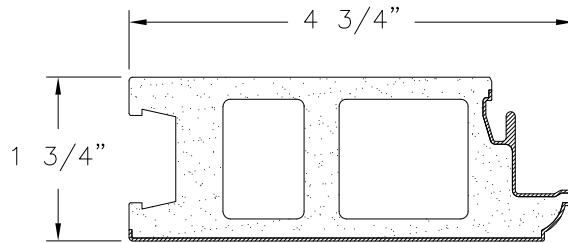




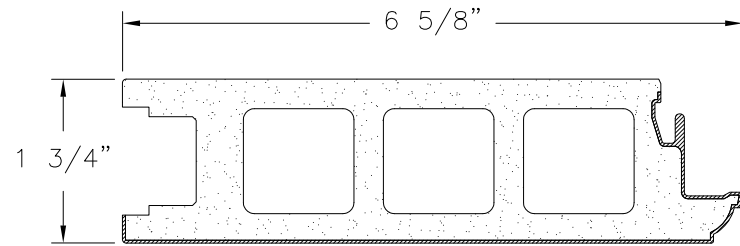
5 3/4" FRAME HEAD AND JAMB
CO-EXTRUDED PVC FOAM .75" THICK



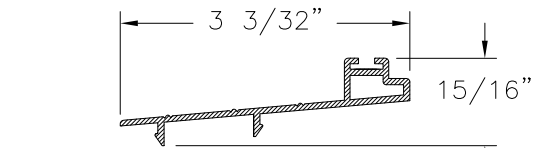
4 3/4" GLIDING SILL
CO-EXTRUDED PVC FOAM
1.032" THICK



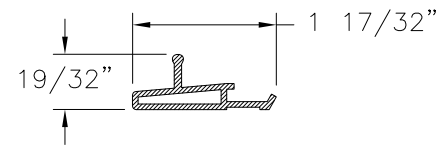
4 3/4" STILE AND TOP RAIL
PVC COMPOSITE FOAM WITH
.031" THICK EXTRUDED PVC SKIN



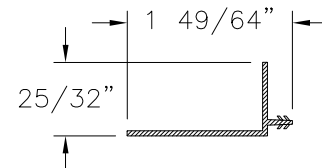
6 5/8" BOTTOM RAIL
PVC COMPOSITE FOAM WITH
.031" THICK EXTRUDED PVC SKIN



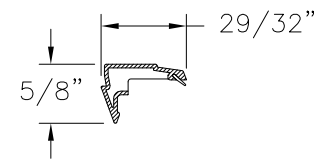
THRESHOLD
EXTRUDED ALUMINUM 6063-T6 .059" THICK



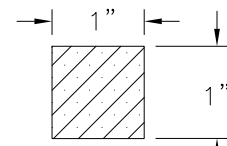
SCREEN RAIL
EXTRUDED ALUMINUM 6063-T6 .059" THICK



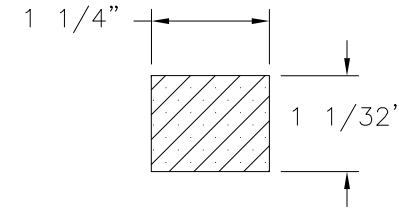
FRAME FIN
EXTRUDED RIGID PVC .051" THICK



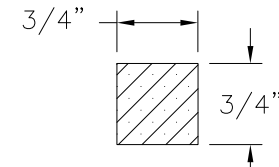
1" GLAZING BEAD
EXTRUDED RIGID PVC .039" THICK



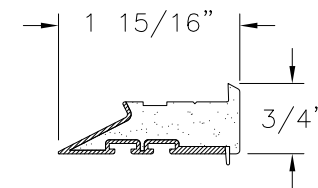
PANEL BOTTOM RAIL REINFORCEMENT
PINE



PANEL STILE REINFORCEMENT
PINE

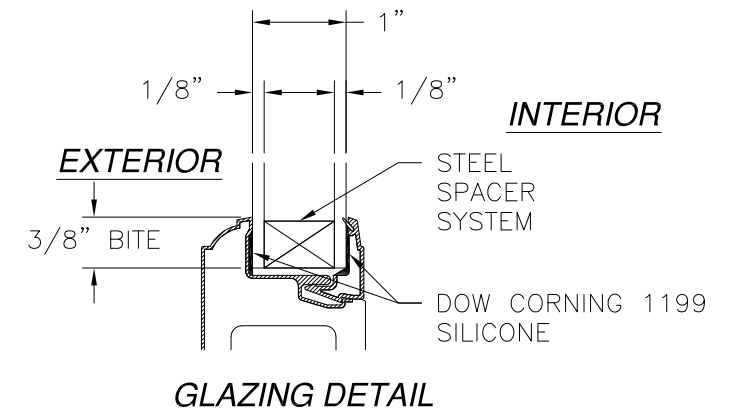


JAMB REINFORCEMENT
PINE



MEETING STILE INTERLOCK
CO-EXTRUDED PVC FOAM .75" THICK

REVISIONS			
REV	DESCRIPTION	DATE	APPROVED
A	REVISED PER NEW TESTING	08/17/11	R.L.
B	REVISED PER NEW REQUIREMENTS	07/29/14	R.L.



GLAZING DETAIL

HARDWARE SCHEDULE	
A.	ADJUSTABLE ROLLER (2) PER ACTIVE PANEL
B.	FLUSH BOLT WITH KEEPER (1) TOP OF ACTIVE PANEL
C.	SINGLE LOCKING SYSTEM WITH KEEPER (1) PER ACTIVE PANEL
D.	GLIDING HANDLE SET (1) PER ACTIVE PANEL

NAN YA PLASTICS CORP. USA
8989 NORTH LOOP EAST
HOUSTON, TX 77029

GLIDING TWO PANEL PATIO DOOR
71 3/8" x 79 1/2"
COMPONENTS, GLAZING DETAIL AND HARDWARE

DRAWN: TJH	DWG NO. 08-01099	REV B
SCALE NTS	DATE 08/19/10	SHEET 4 OF 4

